

NEMA Head Package Series 11PKG Security Lighting

70 - 250W HPS, 100 - 250W MV

PRODUCT OVERVIEW

Features:

- Die-cast aluminum head meets NEMA dimension standards.
- For quick easy installation of mast arm, a cast-in external slipfitter is used for a secure mounting.
- Star Friendly™ cutoff distribution patterns available.
- Tools are not required to install reflector and refractor.
- Includes 24", 1-1/4" diameter mast arm with welded brackets, lamp, photocontrol, 5' of supply wire and hardware.
- All components in single carton.
- Open-bottom acrylic, polycarbonate or glass.
- All electrical components warranted by American Electric Lighting's 6-year guarantee.
- Suitable for -30°C MH & MV / -40°C HPS.
- Complies with ANSI: C136.2, C136.6, C136.10



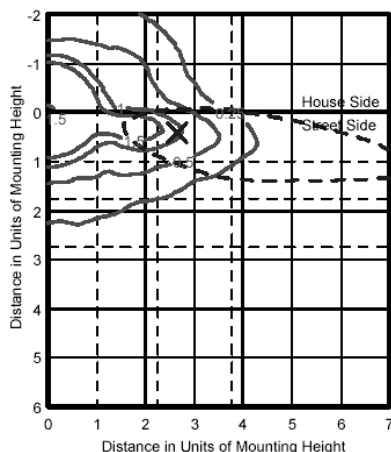
Applications:

- Security areas
- Storage yards
- Loading areas
- Receiving areas

11PKG 15S R2 BA

ISOILLUMINANCE PLOT (FC)
Mounting Height = 20 ft.

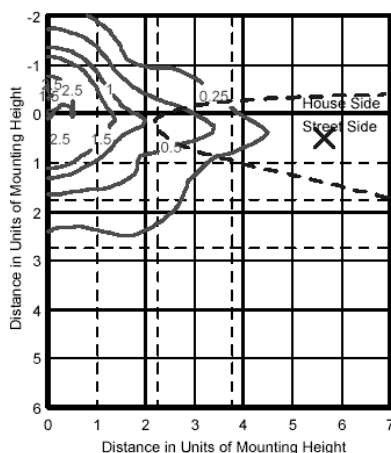
Classification: Type II, Medium, Noncutoff



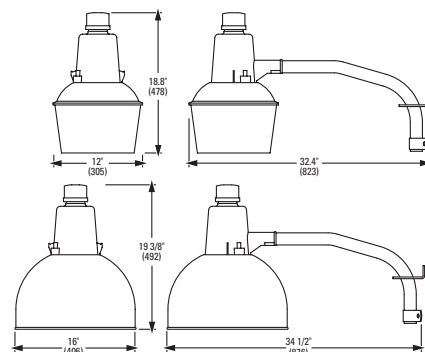
11PKG 20S R2 BP

ISOILLUMINANCE PLOT (FC)
Mounting Height = 20 ft.

Classification: Type II, Long, Noncutoff



DIMENSIONS



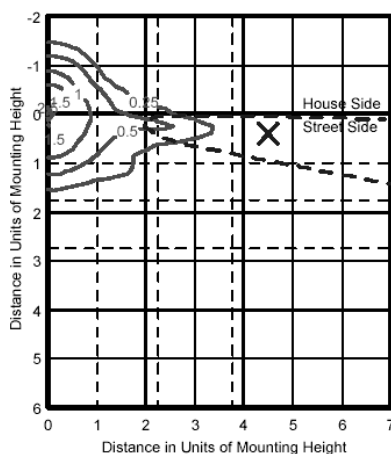
Note: Package includes welded bracket, 24" mast arm 1-1/4" diameter, lamp, photocontrol, 5' of supply wire and hardware. Approx. Wt. = 18 lbs.

Maximum Intensity
1/2 Maximum Intensity

11PKG 17V R2 BA

ISOILLUMINANCE PLOT (FC)
Mounting Height = 20 ft.

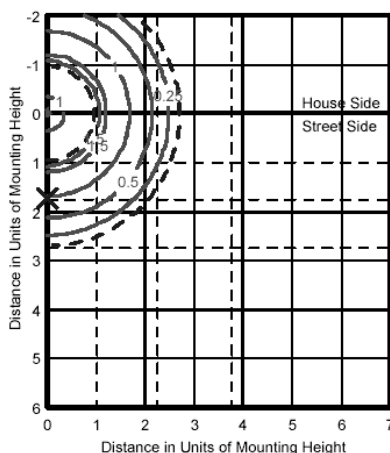
Classification: Type II, Long, Noncutoff



11PKG 10S R5 FC

ISOILLUMINANCE PLOT (FC)
Mounting Height = 20 ft.

Classification: Type V, Full Cutoff



Full Cutoff (FC)



NEMA Head Package *Series 11 PKG*

Security Light

50-250W HPS, 100-250W MV

ORDERING INFORMATION

Example: 11PKG 15S RN 120 R5 BA EC

Series	Wattage / Source	Ballast	Voltage	Distribution	Optics
11PKG NEMA Head Package	05 50 W 07 70 W 10 100 W 15 150 W 17 175 W 20 200 W 25 250 W	S HPS V MV RN Reactor Normal Power Factor XN High Reactance/Lag Normal Power Factor	120 120V 208 208V 230 230V 240 240V 277 277V 347 347V MT1 120V Multi-tap MT8 208V Multi-tap MT2 240V Multi-tap MT7 277V Multi-tap TT1 Tri-tap wired 120V TT7 Tri-tap wired 277V TT3 Tri-tap wired 347V	R2 Type II R3 Type III R4 Type IV R5 Type V RX Type II 4-way ¹	BA Open-Bottom Acrylic BP Open-Bottom Polycarbonate FC Full Cutoff ² BG Open-Bottom Glass ³

Option

Maximum number of options is six, for more options please contact your local American Electric Lighting representative

Starter⁴

(blank)	Open board (standard)
EC	Encapsulated starter
SN	No Ignitor (use self-igniting lamp) ⁵

Lamp

(blank)	Lamp Included, Clear
LD	Lamp Included, Deluxe/Coated
LG	Self-Igniting Lamp ⁵

Notes:

- 1 Available in BG or BA optics
- 2 Available in R5 distribution only
- 3 Not available in R4 distribution
- 4 Available in HPS only
- 5 Requires SN option (SN LG must be included in the catalog number)

Photocontrol¹ (per voltage specified)

(blank)	Photocontrol standard
DPC	DTL Control

Misc.

NL	NEMA Label
-----------	------------

Note: Package includes welded bracket, 24" mast arm with 1-1/4" diameter, lamp, photocontrol, 5' of supply wire and hardware.