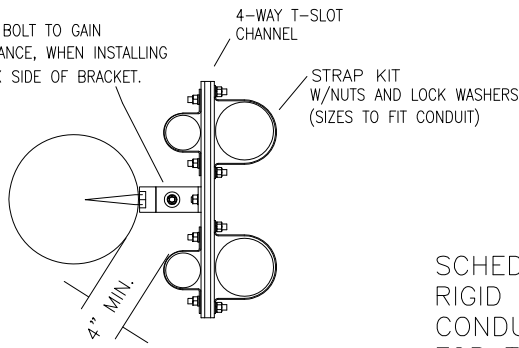
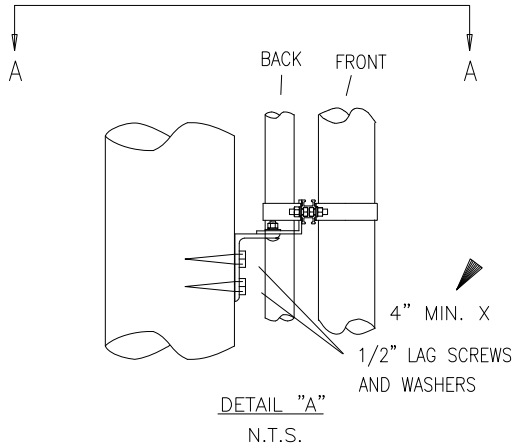


USE ADJUSTMENT BOLT TO GAIN ADDITIONAL CLEARANCE, WHEN INSTALLING CONDUIT ON BACK SIDE OF BRACKET.



SECTION "A-A"
N.T.S.

SCHEDULE 80 PVC OR RIGID METALLIC CONDUIT IS REQUIRED FOR THE FIRST 8 FEET ABOVE FINISHED GRADE.



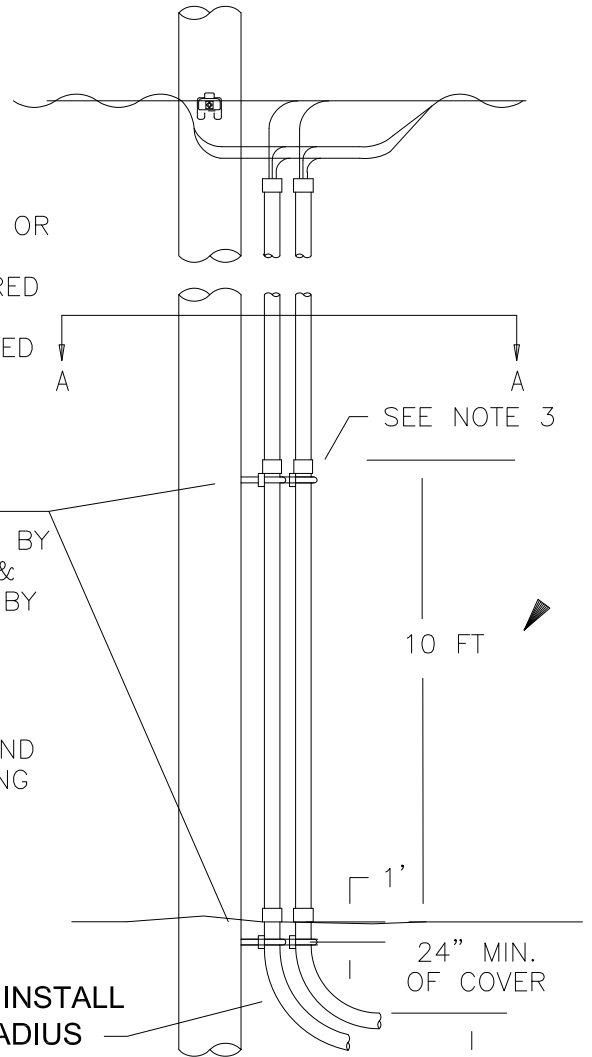
DETAIL "A"
N.T.S.

MANUFACTURED ASSEMBLY

BRACKETS FURNISHED BY COMPANY & INSTALLED BY CUSTOMER.


APPROVED GROUND CLAMP & BONDING JUMPERS ARE REQUIRED WHEN CONDUITS ARE METALLIC.

CUSTOMER TO INSTALL 90° - 36" MIN. RADIUS PVC SWEEP, SCH 80



NOTES:

1. THE COMPANY WILL DESIGNATE THE QUARTER OF THE POLE FOR INSTALLATION OF THE SERVICE RISER, BASED UPON TRAFFIC FLOW AND LOCATION OF TELEPHONE COMPANY ATTACHMENTS.
2. WHEN THE CONDUIT RISER IS 3" IN DIAMETER, IT SHALL BE STRAPPED DIRECTLY TO THE POLE (SEE EXHIBIT 6B); RISER CONDUITS GREATER THAN 3" IN DIAMETER SHALL BE SET-OFF 5 1/2" FROM POLE ON COMPANY SUPPLIED STANDOFF BRACKETS.
- ▶ 3. CUSTOMER TO INSTALL NEC APPROVED RISER CONDUIT 10 FEET, AND IF CUSTOMER IS TO INSTALL CABLE, FURNISH ENOUGH CABLE TO REACH THE COMPANY'S SECONDARY MAIN OR TRANSFORMER. IF THE CUSTOMER IS TO INSTALL CABLE, CUSTOMER SHALL PROVIDE PULL ROPE.
4. IF METALLIC CONDUIT IS USED FOR THE SERVICE RISER, IT MUST BE GROUNDED IN ACCORDANCE WITH NATIONAL ELECTRICAL CODE (NEC) REQUIREMENTS.
5. FOR CUSTOMER/COMPANY RESPONSIBILITIES SEE COMPANY SPECIFIC SERVICE GUIDE EXHIBIT 19.

 <p>SUSSEX RURAL ELECTRIC COOPERATIVE 64 County Route 639 Sussex, New Jersey 07461</p>	<p>STANDOFF ATTACHMENT OF CUSTOMER UNDERGROUND SECONDARY SERVICE LATERALS</p>	<p>Service Guide</p>	<p>Rev.</p>
		<p>EXHIBIT 7</p>	<p>1 Date 4/07</p>